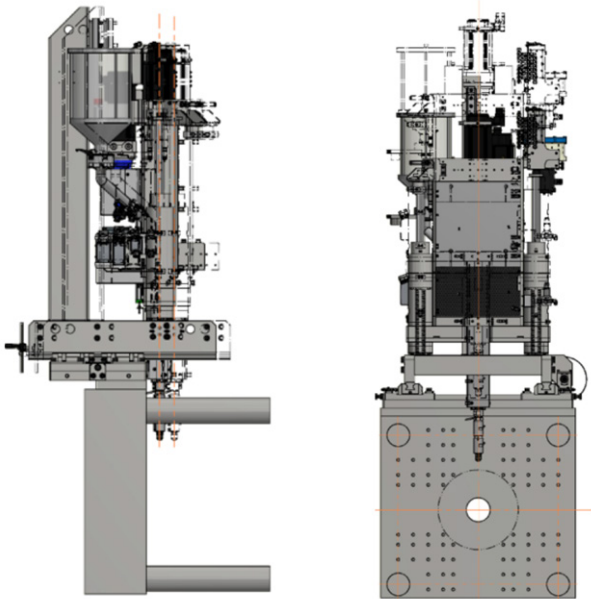




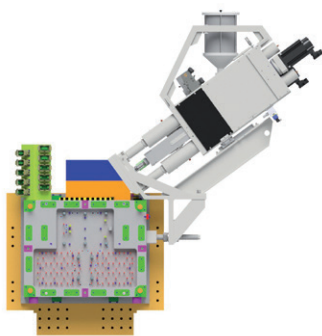
ERGOLINE SERIES

Overcoming assembly constraints with it's slim design!

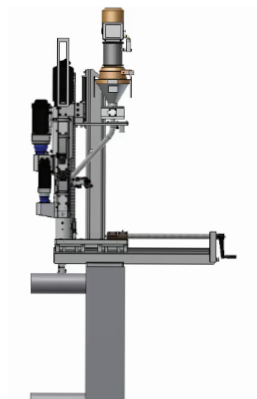


Extra-long reach of injection nozzle with adjustment.

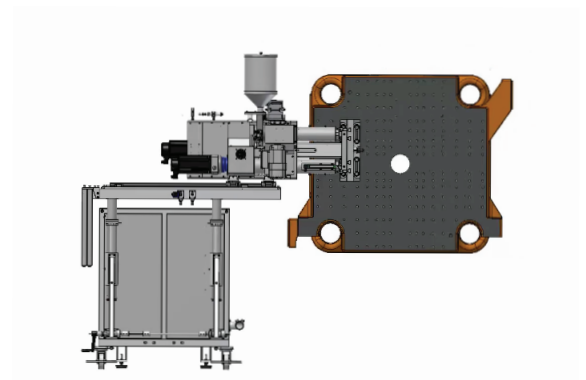
MOUNTING OPTIONS



Angular on Tool



Vertical on fixed platen



Horizontal on non-operator side

Plasdan offers a full range of full-electric, servo-driven, mould, platen or floor mounted mobile injection units which are highly accurate, have high shot-to-shot repeatability, are quiet, energy efficient and economic. These units are some of the most popular among customers and often provide for applications with space constraints. Flexibility and longevity of operation with easy maintenance has been fundamental to generate customers confidence in our products.





ERGOLINE UNIT SPECIFICATIONS

Inj. Unit	Units	EL.0037			EL.0120			EL.1520		
Screw Ø	mm	16	18	20	22	25	30	55	60	65
	in	0,63	0,71	0,79	0,87	0,98	1,18	2,17	2,36	2,56
Swept Volume	cc	16	23	31	42	61	106	653	848	1078
	Fl.oz	0,54	0,77	1,06	1,41	2,08	3,58	22,09	28,68	36,47
Max. Inj. Pres. *1	bar	2100	1650	1350	2200	2000	1600	2100	1800	1530
	psi	30458	23931	19580	31908	29008	23205	30458	26107	22191
Screw stroke	mm	80	90	100	110	125	150	275	300	325
	in	3,15	3,54	3,94	4,33	4,92	5,91	10,83	11,81	12,80
Screw Torque	Nm	38	52	69	90	126	207	1063	1345	1669
Nozzle sealing F.	kN	28,5			30,0			70,0		
	lbf	6407			6744			15736		
retract stroke	mm	100			100			500		
	in	3,94			3,94			19,68		
Max. Injection speed	mm/s	150			150			150		
	in/s	5,91			5,91			5,91		
Max. Inj. rate *2	cc/s	30	38	47	57	74	106	356	424	498
	Fl.oz/s	1,02	1,29	1,59	1,93	2,48	3,58	12,02	14,33	16,84
Screw speed	RPM	350			300			255		
Max. Current	A	32			32			200		



EL.1520 IU with 1Kg capacity



EL.0120 IU

*1 - The maximum injection and packing pressure are not the cavity melt pressure but injection unit output. The maximum injection and packing pressure are the maximum value that can be set. The maximum injection and packing pressure might be limited depending on the moulding conditions.
 *2 - The maximum injection rate and maximum injection speed are theoretical values.
 Note: all specifications are subject to change without notice.

Cofinanciado por:

